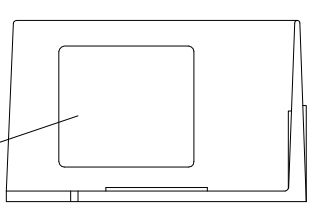
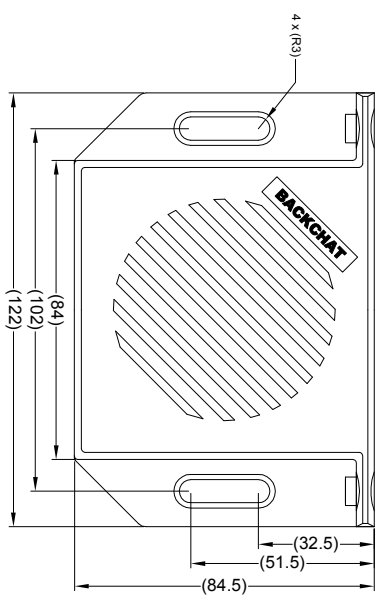
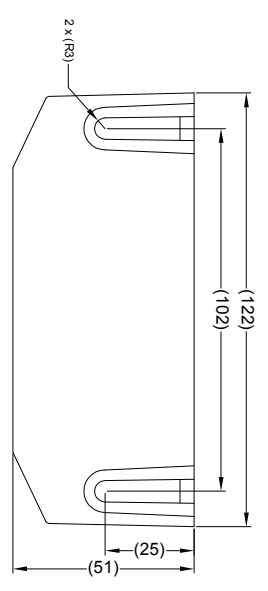
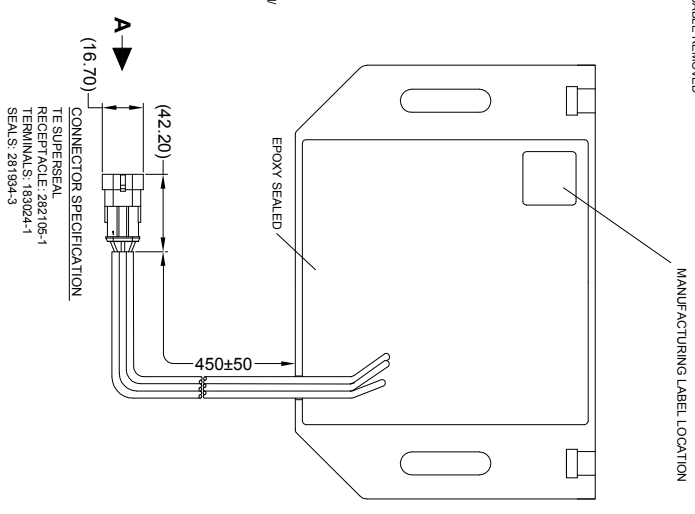


PIN #	WIRE COLOUR	DESCRIPTION
1	RED	MESSAGE
2	WHITE	MUTE
3	BLACK	GROUND



SPECIFICATION

1. RATED VOLTAGE: 12 AND 24 VOLTS DIRECT CURRENT (WORKING VOLTAGE RANGE 10 THRU 30 VOLTS)
 2. RATED CURRENT: 0.5 AMPERES OR LESS
 3. SOUND PRESSURE: 90±4 DECIBELS AT TEST VOLTAGE OF 14 AND 28 VOLTS
 4. CABLE THICKNESS: ALL CABLES 24/0.2MM
 5. MESSAGE(S): ATTENTION, REMEMBER TO LOWER TRAILER LEGS*
 6. MESSAGE LIBRARY NUMBERS): M1641A
 7. VOICE/ACCENT: MALE
 8. LANGUAGE: ENGLISH
 9. MUTE FUNCTION: NEGATIVE TRIGGER
- CHANGES FROM BASE PRODUCT BC-01(4W)(HBRKAE)1224V (A1719) TO BC-01 TLWD (4228)
1. RESPONSE MESSAGE FOR HALTS ELECTRICAL (SEE SPECIFICATION ABOVE)
 2. PRODUCT LABEL REPLACED WITH BC-01 TLWD PDLBL (4234) - SEE NOTES
 3. SUPERSEAL CONNECTOR ADDED - SEE CONNECTOR SPECIFICATION
 4. POSITIVE MUTE CABLE REMOVED



- NOTES:**
1. DIMENSIONS IN MM.
 2. MATERIAL: ABS PLASTIC - ULTRA VIOLET STABILIZED
 3. FINISH: BLACK

4. FOR PRODUCT LABEL DETAIL REFER TO BE-002111-00-12
5. FOR MANUFACTURING LABEL DETAIL REFER TO BE-001990-01-12
5. 2 X M6 X25 BOLTS, 2 X M6 FLAT WASHER & 2 X M6 NUTS ARE SUPPLIED IN A PRESS SEAL BAG IN THE BOX.
6. POWER & MESSAGE CABLE LENGTHS ARE MEASURED FROM CABLE ENTRY POINT ON HOUSING.

PROPRIETARY NOTICE
 THIS DESIGN AND TECHNICAL INFORMATION APPEARING ON THIS DRAWING IS THE PROPERTY OF BRIGADE ELECTRONICS, AND IS DISCLOSED IN CONFIDENCE. IT IS NOT TO BE COPIED, REPRODUCED, REVEALED TO OR EXPROPRIATED BY OTHERS, EITHER IN WHOLE OR IN PART WITHOUT THE EXPRESS WRITTEN CONSENT OF BRIGADE ELECTRONICS.

 www.brigade-electronics.com		Customer Approval	SHALL
		Assembly Pt Approval	AHEADLE
Angle of Projection	Third Angle	Approved by	S.MATTHEWS
Units	mm	Scale	N/A
Status	RELEASED	Released	09.08.12
Stock Code	4228	Checked by	JNEWMAN
		Drawn by	M.POTTER
		Assembly Ref	N/A
			BC-01 TLWD
			BE-002100-00-12